

LED

IP 66



- Used for marking escape routes and exits in potentially explosive atmospheres.
- Self-test, monitoring and diagnostics reduce costly maintenance checks.
- >3h autonomy
- Maintained / Non maintained operation
- Possibility of supplies with DALI compatible ballast
- Ni-MH 3,6V/2.2Ah, build in light fitting, microprocessor controlled charging, discharging and control of battery

FLXE 118 LED



CONSTRUCTION

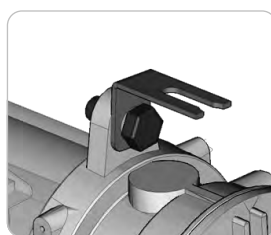
Housing: aluminium powder painted casting
 Diffuser: borosilicate glass tube,
 Gasket: silicon
 The light fitting is normally supplied with two entries M20 and wall/sealing mounting set

TECHNICAL DATA

Certificate:	FIDI 19 ATEX 0028 EAC RU C-HR.AB24.B.03252
Marking:	CE 0722
Apparatus category:	II 2G II 2D
Marking of explosion protection:	Ex db eb op is IIC T6 Gb Ex tb op is IIIC T80°C Db
Ambient temperature:	-20°C ≤ T _a ≤ +40°C / +50°C
Degree of protection:	IP 66 category 1
Resistance to shock:	IK 08
Protection class :	I (protective earthing)
Rated voltage:	220-240 V 24V, 110V AC/DC on request
Frequency:	50Hz / 60Hz
Rated power:	2W battery operation / 5W mains supply operation
Luminous flux:	200lm / 400lm
Connecting terminals:	L1, L2, L3, N; max. 2 x 2,5 mm ² PE terminal ; max 2x6mm ² External PA terminal -PA; max 2x6mm ²
Cable entry:	2 x M20 or 2 x 3/4"NPT or 2 x M20, with one Ex d plugs and one adapter type ADP 03/24 for cable φ6-15 mm
Weight:	4kg

MOUNTING

Pendant, on pipe, wall, ceiling mounting . Operates in any position.



Emergency LED light fitting

MODEL CODE

FLXE 118 LED

Pictogram

0	Without	5	
1		6	
2		7	
3		8	
4			

Cable entry:

- 0 ... Ex d cable entry 2 x M20x1,5
- 1 ... Ex d cable entry 2 x 3/4" NPT
- 2 ... Ex de adapter ADP 24 (for cable 6-15mm)
- 3 ... 2x Ex de adapters ADP 24 (for cable 6-15mm)

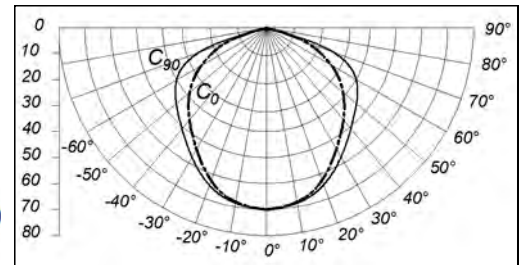
Rated voltage:

- 0 ... 24 V AC
- 1 ... 24 V DC
- 2 ... 110 - 127 V AC/DC
- 3 ... 220 - 240 V AC/DC

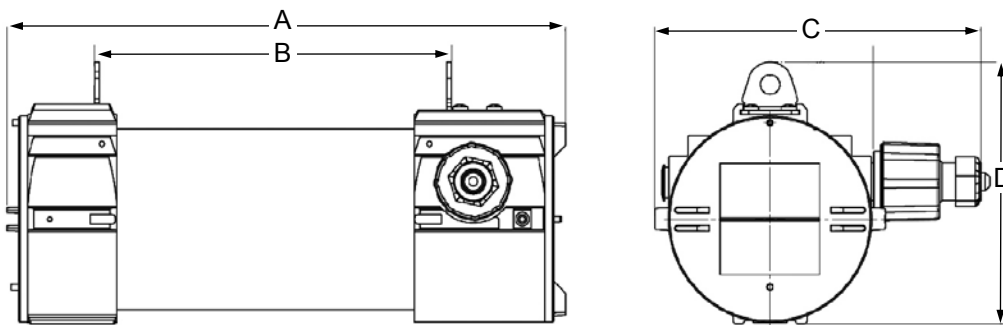
The lamp can operate with two types of connection:

- Maintained (Dauerschaltung)
- Non maintained (Bereitschaftschaltung)

ISOCANDELA CURVE [I/cd]





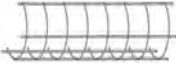



DIMENSION DRAWING (mm)



A	B	C	D
375	240	220	174

SPARE PARTS AND ACCESSORIES

SKETCH	DESCRIPTION	CODE	SKETCH	DESCRIPTION	CODE
	Cover gasket FLX	FLX 10-120		External reflector FLX	FLX LED 20-150
	Base plate FLXE	FLXE 10-130		FLX Wall / ceiling mounting set	FLX 20-170
	Protective grid FLXE set	FLXE 20-140		FLX Pipe mounting set	FLX 20-180

All technical data is relevant at the time of print.