



## AccuLux EX SLE 15 Set Type 4574...

**Emergency lamp IP 64 for use in areas with potentially explosive gas or dust atmospheres, Ex zones 1, 2, 21 and 22**

### Description

The microprocessor-controlled, work and emergency lamp, AccuLux EX SLE 15, is made of high-quality impact-resistant plastics and has been tested for conformity with the directive 94/9/EC, EN 50020 and EN 61241-11 as well as relevant EMC rules; it is also approved for use in motor vehicles. The high-quality xenon bulb and the LED pilot lamp underline the top-quality of this lamp. The built-in lead gel battery does not show a memory effect and is protected against total discharge by the intelligent charger circuit. The 110° swivelling lamp head and the turning lamp handle allow most flexible use of the lamp. The AccuLux EX SLE 15 may be continuously on, blink or be operated with the pilot lamp on; it can also be used as a warning light. The use as an emergency lamp according to VDE 0108 is allowed. The 230 V AC or 24/12 V DC charger with optimised charging technology is very compact; this allows it to be installed in all kind of small spaces either indoors or in vehicles.



Fig. 1: AccuLux EX SLE 15 lamp

### Special Features

- explosion-proof, dustproof and splash-proof
- swivelling lamp head
- can be used as emergency lamp according to VDE 0108
- in case of power failure the emergency power function is activated
- filament break monitoring with automatic switch-over from the xenon bulb to the LED pilot lamp
- 4 stage charge level indicator
- microprocessor-controlled
- maintenance-free lead gel battery

### Included in Delivery, entire set



Fig. 2: Entire set AccuLux EX SLE Set Type 4574...

### Dimensions in mm

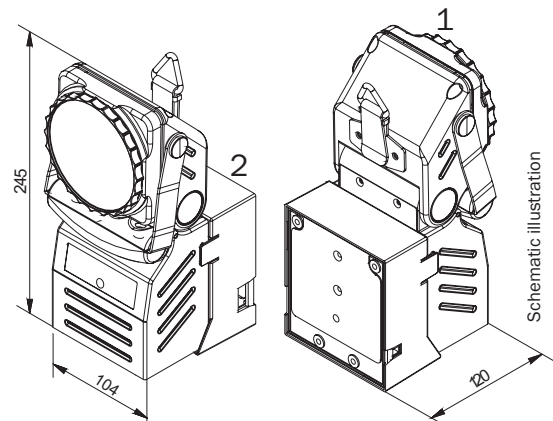


Fig. 3: Dimensions AccuLux EX SLE Set Type 4574...



# -Protected Rechargeable Work and Emergency Lamp

### Technical Data

<b>Article-No.</b> (see ordering key)	<b>4574...</b>
Casing material	polyamide, impact resistant
Enclosure type of lamp	IP 64
Bulb, main lamp	Xenon 4,0V/0,8A
Lighting time, main lamp	approx. 4 h
Lighting time, blinking	approx. 8 h
Luminous flux, main lamp	60 lm
Beam range	approx. 200 m
Pilot lamp	Nichia LED 5 mm
Operating time, pilot lamp	approx. 85 h
Rechargeable battery	lead gel battery, 4V/ 3,5Ah maintenance-free
Charging time	approx. 15 h
Charging voltage	230V AC 50/60Hz, 12/24V DC
Weight of lamp	1100 g
Dimensions in mm (Set)	104x245x120
Ex-zone	1, 2, 21 und 22
Ex marking	II 2 G Ex ib II C T4/II 2D Ex ibD 21 T 135 °C
ATEX-No.	TÜV-A 07 ATEX 0001X
Temperature range	-20 ... 40 °C

### Applications

- Industry for chemistry, oil and gas
- Electricity, fault clearance, municipal utility
- Fire brigade
- Emergency medical services
- Shipyard
- Commerce fire protection
- Handcraft

More safety and better vision!



The charging station is not explosion-protected and may not be installed or operated in potentially explosive gas or dust areas.



### Safety Emergency Light Function:

In case of voltage drop (230 V, 24 V, 12 V) while the lamp is connected to the charging station, the main lamp switches on.

### Ordering Code

**Model AccuLux EX SLE 15 Set**      **Type 4574**

**Colour**

black (sw)   **8**

**Package**

Folding box (KV)   **1**

**Example of ordering key**      457481

Model AccuLux EX SLE 15 Set, Type 4574, black (sw): 8, with folding box (KV): 1

### Spare Parts/Accessories

Article-No.	Designation
457830	Hand lamp
457881	Charging station
457890	Bolt hook
457801	Xenon-Lamp 4,0V/0,8A
457802	Xenon-Lamp 4,0V/0,5A
457840	Seal ring, reflector to lamp head
457850	Vehicle cable 230 V
457851	Cable with plug 12V/24V
457870	Diffuser transparent
457871	Diffuser orange
457810	Replacement battery 4V/3,5 Ah, lead gel

Additional accessories and spare parts are available on request