

FLAMEPROOF EX D • INCREASED SAFETY EX E • FOR INDOOR & OUTDOOR APPLICATIONS
FOR UNARMoured CABLES • OUTER SHEATH SEAL



Cable glands KTN type (code: KTN)

The sealing ring blocks the cable on the cable sheath outer diameter. Metric cable glands are made according to EN 62444 standard. Maintenance and installation operations and product selection must be done in accordance with IEC EN 60079-14 and 17 standards.

Application fields Surface - Group II

Approvals / Certifications

ATEX Certificate: INERIS 16 ATEX 0045X

IECEx Certificate: IECEx INE 16.0054X

Type examination certificate: INERIS 17 ATEX 3000 (Ex nR IIC Gc)

Protection type

Exd IIC • Ex e II (gas) • Ex tb IIC (dusts)

EPL (Equipment protection level)

Zone 1-2: Gb, Gc gas

Zone 21-22: Db Dc combustible dusts

Execution

Ex d IIC • Ex e II • Ex tb IIC

according to

ATEX: EN 60079-0:2009 • EN 60079-1:2007 • EN 60079-7:2007 •

EN 60079-31:2009 • EN 60529:1991

IEC Ex: IEC 60079-0:2011 • IEC 60079-1:2007 • IEC 60079-7:2006 •

IEC 60079-31:2008 • IEC 60529:2001

Ambient temperatures in services: sealing washers materials

Silicone seals -60°C ÷ + 80°C (code: **SI**)

Cable type

Unarmoured

Available materials

Brass (code: **OT**) • Nickel-plated brass (code: **ON**)

AISI316L Stainless steel (code: **S6**) • Aluminium (code: **AL**)

Available threads

ISO 262 Metrical

ANSI B1.20.1 NPT

Upon request:

ISO 228

DIN 40430 Pg

EN 10226 Gk (only for ATEX)

Degree of protection

The degree of protection assured by the cable entries is **IP66** according to IEC/EN 60529 standard. For cable entries with cylindrical thread the degree of protection IP66 is assured by using either a flat silicone MVQ gasket or a flat PTFE gasket or a SILICONE MVQ O-ring. For cable entries with conical thread the degree of protection IP66 is assured by applying to the threading of sealing LOCTITE 241.

Metric cable glands are made in accordance to EN 62444 Standard.



COMPONENTS

Backnut

Outer seal

Body

OPTIONS

O-Ring (see p. 128)

Sealing washer

Locknut

Shrouds

Earth tags

EXAMPLE CODE

TECHNICAL DRAWING

KTN.	25.	N25.	SI.	ON.
Type	Size	Thread code	Seals material code	Material code

See tab. page 19

Silicone

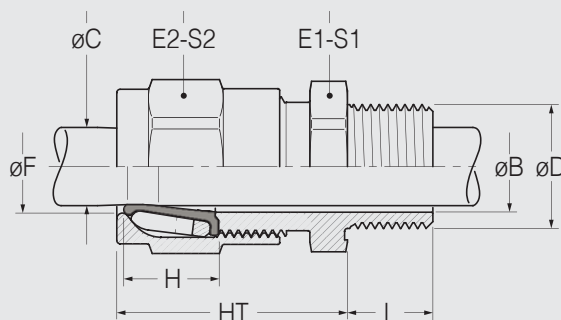
OT	Brass
ON	Nickel-plated brass
S6	AISI316L Stainless steel
AL	Aluminium

7

OR

Optional code

O-Ring



Alternatively to the flat gasket, in order to ensure the degree of IP protection, it is possible to request the "O-Ring version" cable gland.
ISO metrical threads only

SIZE	Ø D - THREADS		CODE	Ø C Min - Max	DIMENSIONS									
	Cylindrical ISO 262	Tapered NPT			Weight	øB	L	HT	H	F	E1	S1	E2	S2
12	M16x1,5		KTN.12.I16.SI.●	6 ÷ 11,4	94	11,4	15	37	15,2	16,3	25	27,4	26	28,6
		3/8"	KTN.12.N16.SI._				15,5							
16	M20x1,5		KTN.16.I20.SI._	9 ÷ 15,2	86	15,2	15	37	15,2	16,3	25	27,4	26	28,6
		1/2"	KTN.16.N20.SI._				20							
20	M25x1,5		KTN.20.I25.SI._	12,5 ÷ 19,8	116	19,8	15	40,2	17	20,8	30	33	31	34
		3/4"	KTN.20.N25.SI._				20,5							
25	M32x1,5		KTN.25.I32.SI._	16,5 ÷ 26	179	26,6	15	44,5	19,4	26,3	36	39	38	41
		1"	KTN.25.N32.SI._				25							
32	M40x1,5		KTN.32.I40.SI._	21 ÷ 33,2	270	34,4	15	48,5	22	33,4	45	49	48	51
		1" 1/4	KTN.32.N40.SI._				26							
40	M50x1,5		KTN.40.I50.SI._	27,5 ÷ 41,3	407	44	15	51,7	24,2	41,6	55	60	58	63
		1" 1/2	KTN.40.N50.SI._				26							
50	M63x1,5		KTN.50.I63.SI._	35,6 ÷ 52,3	606	56	15	61,9	27	52,6	68	74	70	74,5
		2"	KTN.50.N63.SI._				27							
63	M75x1,5		KTN.63.I75.SI._	46 ÷ 65	857	68	15	64,2	29,4	65,4	82	89	85	88
		2" 1/2	KTN.63.N75.SI._				40							
75	M90x2		KTN.75.I90.SI._	56 ÷ 78	1329	82	20	68,7	31	78,5	100	109	100	104,8
		3"	KTN.75.N90.SI._				41,5							
90	M100x2		KTN.90.I100.SI._	72 ÷ 90	1687	91	20	71,7	31,2	91	110	119	115	119,4
		3" 1/2	KTN.90.N100.SI._				43							

• Standard Threads in bold • Dimensions are in millimeters • Weight in grams (gr) of brass version •