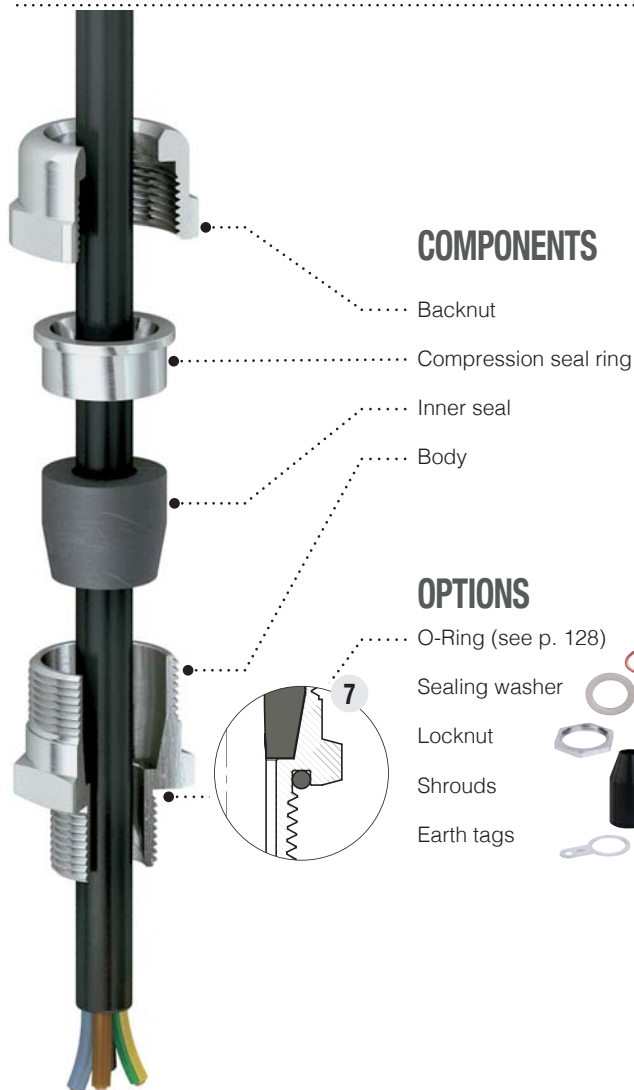


# RN type



FLAMEPROOF EX D • INCREASED SAFETY EX E • FOR INDOOR & OUTDOOR APPLICATIONS  
FOR UNARMoured CABLES • OUTER SHEATH SEAL



## COMPONENTS

- Backnut
- Compression seal ring
- Inner seal
- Body

## OPTIONS

- O-Ring (see p. 128)
- Sealing washer
- Locknut
- Shrouds
- Earth tags

### 1 Cable glands RN type (code: RN)

The sealing ring blocks the cable on the cable sheath outer diameter. Metric cable glands are made according to EN 62444 standard. Maintenance and installation operations and product selection must be done in accordance with IEC EN 60079-14 and 17 standards.

**Application fields** Surface - Group II • Mines - Group I

#### Approvals / Certifications

ATEX INERIS 06 ATEX 0014X  
IEC Ex: IEC Ex INE 10.0010X  
EAC: RU C-IT.AЯ 45.B.00081

#### Protection type

Exd IIC • Ex e II (gas) • Ex tb IIIC (dusts) • Ex d I • Ex e I (mines)

#### EPL (Equipment protection level)

**Zone 1-2:** Mb mines • Gb, Gc gas  
**Zone 21-22:** Db Dc combustible dusts

#### Execution

Ex d IIC • Ex e II • Ex tb IIIC • Ex d I • Ex e I Db  
according to

**ATEX:** EN 60079-0:2009 • EN 60079-1:2007 • EN 60079-7:2007 • EN 60079-31:2009 • EN 60529:1991

**IEC Ex:** IEC 60079-0:2011 • IEC 60079-1:2007 • IEC 60079-7:2006 • IEC 60079-31:2008 • IEC 60529:2001

### 5 Ambient temperatures in services: sealing washers materials

EPDM seals -40°C ÷ + 100°C (code: EP)

Silicone seals -65°C ÷ + 220°C (code: SI)

#### Cable type

Unarmoured

### 6 Available materials

Brass (code: OT) • Nickel-plated brass (code: ON)

AISI316L Stainless steel (code: S6) • Aluminium (code: AL)

AVP Steel (code: AVP)

#### Available threads

ISO 262 Metrical • ISO 228 • DIN 40430 Pg

ANSI B1.20.1 NPT • EN 10226 Gk (only for ATEX)

#### Degree of protection

The cable glands degree of protection is **IP66** or **IP66/68**, 30-meters depth for 7 days according to the IEC EN 60529 standard; the degree of protection IP 68 is obtained by using flat sealing rings on cable glands with cylindrical threads. Without gaskets, the degree of protection is IP 66. If the cable glands with cylindrical or tapered threads are screwed on the threaded hole of an apparatus, in order to guarantee an IP66 or IP66/68 degree of protection, threaded parts must be sealed with Loctite or similar. In order to maintain the IPX8 degree of protection, the cable entry shall be fitted on enclosure which satisfies an immersion test under 30 meters of water during 7 days. Metric cable glands are made in accordance to EN 62444 Standard.

### 0 Kit version (code: KIT)

Includes cable glands and the requested complete series of the rubber seals accompanying the size.



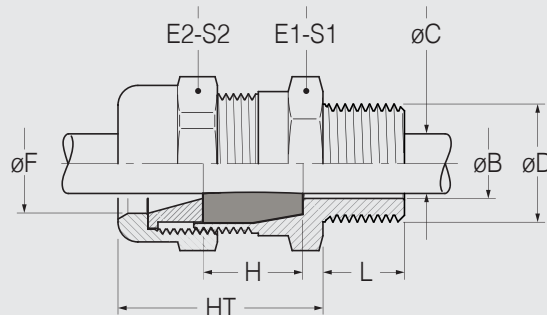
## EXAMPLE CODE

See page 54

## TECHNICAL DRAWING

0 1 2 3 4 5 6 7

| KIT           | RN.  | 25.  | 13.                    | N25.        | EP.                 | ON.             | OR            |
|---------------|------|------|------------------------|-------------|---------------------|-----------------|---------------|
| Optional code | Type | Size | Ø C Max                | Thread code | Seals material code | Material code   | Optional code |
| Kit series    |      |      | Inner seal (10,5 ÷ 13) | See tab.    | EP-SI               | OT-ON-S6 AL-AVP | O-Ring        |



| SIZE       | Ø C<br>Min - Max<br>Inner seal | Ø D - THREADS                        |         |                                     |         |          | DIMENSIONS |    |    |    |     |     |     |     |
|------------|--------------------------------|--------------------------------------|---------|-------------------------------------|---------|----------|------------|----|----|----|-----|-----|-----|-----|
|            |                                | Cylindrical                          |         |                                     | Tapered |          | Weight     | F  | HT | H  | E1  |     | E2  |     |
|            |                                | ISO 262                              | ISO 228 | DIN 40430                           | NPT     | EN 10226 |            |    |    |    | S1  | S2  | S1  | S2  |
| 16<br>(EP) | 4 ÷ 7                          | M12x1,5                              | 1 / 4"  | Pg7<br>Pg9<br><b>Pg11</b><br>Pg13,5 | 1 / 4"  | 1 / 4"   | 94         | 16 | 38 | 20 | 24  | 26  | 24  | 26  |
|            | 7 ÷ 10                         |                                      | 3 / 8"  |                                     |         |          |            |    |    |    |     |     |     |     |
| 16<br>(SI) | 4 ÷ 6                          | <b>M16x1,5</b><br>M20x1,5            | 1 / 2"  | Pg11<br><b>Pg13,5</b><br>Pg16       | 1 / 2"  | 1 / 2"   | 156        | 20 | 40 | 20 | 30  | 33  | 32  | 35  |
|            | 6 ÷ 8                          |                                      | 3 / 4"  |                                     | 3 / 4"  | 3 / 4"   |            |    |    |    |     |     |     |     |
| 20         | 8 ÷ 10,5                       | M16x1,5<br><b>M20x1,5</b><br>M25x1,5 | 1 / 2"  | Pg11<br><b>Pg13,5</b><br>Pg16       | 1 / 2"  | 1 / 2"   | 185        | 25 | 40 | 20 | 35  | 38  | 36  | 39  |
|            | 10,5 ÷ 13                      |                                      | 3 / 4"  |                                     | 3 / 4"  | 3 / 4"   |            |    |    |    |     |     |     |     |
| 25         | 8 ÷ 10,5                       | M20x1,5<br><b>M25x1,5</b>            | 3 / 4"  | Pg16<br>Pg21                        | 3 / 4"  | 3 / 4"   | 340        | 32 | 52 | 25 | 42  | 47  | 45  | 49  |
|            | 10,5 ÷ 13                      |                                      | 1"      |                                     | 1"      | 1"       |            |    |    |    |     |     |     |     |
| 32         | 13 ÷ 15,5                      | M25x1,5<br><b>M32x1,5</b>            | 1"      | Pg21<br>Pg29                        | 1"      | 1"       | 421        | 38 | 52 | 25 | 48  | 53  | 50  | 55  |
|            | 15,5 ÷ 18                      |                                      | 1"      |                                     | 1"      | 1"       |            |    |    |    |     |     |     |     |
| 40         | 21 ÷ 24                        | <b>M40x1,5</b>                       | 1" 1/4  | Pg29                                | 1" 1/4  | 1" 1/4   | 537        | 44 | 52 | 25 | 55  | 60  | 57  | 62  |
|            | 24 ÷ 27                        |                                      | 1" 1/4  |                                     | 1" 1/4  | 1" 1/4   |            |    |    |    |     |     |     |     |
| 50         | 24 ÷ 27                        | M40x1,5<br><b>M50x1,5</b>            | 1" 1/2  | Pg36                                | 1" 1/2  | 1" 1/2   | 749        | 54 | 52 | 25 | 68  | 74  | 67  | 72  |
|            | 27 ÷ 30                        |                                      | 1" 1/2  |                                     | 1" 1/2  | 1" 1/2   |            |    |    |    |     |     |     |     |
| 63         | 30 ÷ 33                        | M50x1,5<br><b>M63 x 1,5</b>          | 2"      | Pg42<br>Pg48                        | 2"      | 2"       | 1085       | 65 | 52 | 25 | 80  | 86  | 80  | 88  |
|            | 33 ÷ 36                        |                                      | 2"      |                                     | 2"      | 2"       |            |    |    |    |     |     |     |     |
| 75         | 36 ÷ 39                        | M63x1,5<br><b>M75x1,5</b>            | 2" 1/2  | Pg48                                | 2" 1/2  | 2" 1/2   | 2125       | 74 | 67 | 30 | 100 | 107 | 100 | 107 |
|            | 39 ÷ 42                        |                                      | 2" 1/2  |                                     | 2" 1/2  | 2" 1/2   |            |    |    |    |     |     |     |     |
| 90a        | 45 ÷ 48                        | M75x1,5<br><b>M90x2</b>              | 3"      | /                                   | 3"      | 3"       | 1759       | 80 | 67 | 30 | 100 | 107 | 100 | 107 |
|            | 48 ÷ 51                        |                                      | 3"      |                                     | 3"      | 3"       |            |    |    |    |     |     |     |     |
| 90b        | 51 ÷ 54                        | M75x1,5<br><b>M90x2</b>              | 3"      | /                                   | 3"      | 3"       | 2125       | 74 | 67 | 30 | 100 | 107 | 100 | 107 |
|            | 54 ÷ 58                        |                                      | 3"      |                                     | 3"      | 3"       |            |    |    |    |     |     |     |     |
| 90b        | 58 ÷ 62                        | M75x1,5<br><b>M90x2</b>              | 3"      | /                                   | 3"      | 3"       | 1759       | 80 | 67 | 30 | 100 | 107 | 100 | 107 |
|            | 60 ÷ 64                        |                                      | 3"      |                                     | 3"      | 3"       |            |    |    |    |     |     |     |     |
| 90b        | 64 ÷ 68                        | M75x1,5<br><b>M90x2</b>              | 3"      | /                                   | 3"      | 3"       | 2125       | 74 | 67 | 30 | 100 | 107 | 100 | 107 |
|            | 64 ÷ 68                        |                                      | 3"      |                                     | 3"      | 3"       |            |    |    |    |     |     |     |     |

• Standard Threads in bold • Dimensions are in millimeters • Weight in grams (gr) of brass version